



PE Valve

PE Valve

500 Series Valves

500 Series 4 way Valves 3 to 175 tons 1/2" thru 3-1/8" Line Sizes

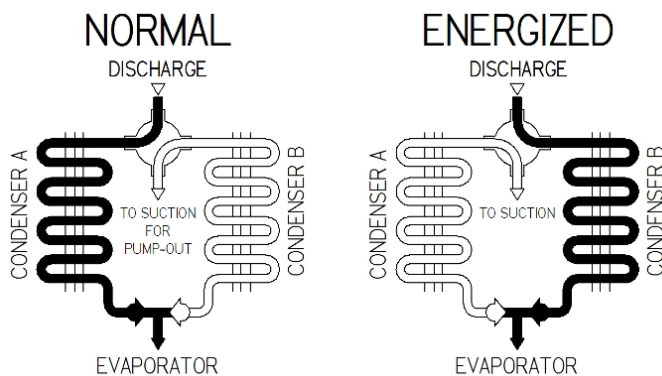
Â

This series valve is available as a pressure differential pilot actuated valve as

well as an Actuator driven valve

Â

Eliminates the need for additional solenoid valves. This valve may be used in a system with parallel condensers. The discharge is routed to one condenser or the other while the condenser not in use is pumped out to suction. This diagram is a typical heat reclaim configuration.



512-1 Valve

4 way valve, 36 to 56 tons, 1-5/8" ODF connections [\[Product Details...\]](#)

506-1 Valve

4 way valve, 6.1 to 10 tons, 7/8" ODF connections [\[Product Details...\]](#)

512-2 Valve

4 way valve, 36 to 56 tons, 2-1/8" ODF connections [\[Product Details...\]](#)

506-2 Valve

4 way valve, 6.1 to 10 tons, 1-1/8" ODF connections [\[Product Details...\]](#)

515 Valve

4 way valve, 57 to 80 tons, 2-1/8" ODF connections [\[Product Details...\]](#)

507-1 Valve

4 way valve, 10.1 to 20.4 tons, 1-1/8" ODF connections [\[Product Details...\]](#)

518 Valve

4 way valve, 81 to 100 tons, 2-5/8" ODF connections [\[Product Details...\]](#)

507-2 Valve

4 way valve, 10.1 to 20.4 tons, 1-3/8" ODF connections [\[Product Details...\]](#)

521 Valve

4 way valve, 101 to 175 tons, 3-1/8" ODF connections [\[Product Details...\]](#)

509-1 Valve

4 way valve, 20.5 to 35.9 tons, 1-3/8" ODF connections [\[Product Details...\]](#)

503-1 Valve

4 way valve, 3 to 6 tons, 5/8" ODF connections [\[Product Details...\]](#)

509-2 Valve

4 way valve, 20.5 to 35.9 tons, 1-5/8" ODF connections [\[Product Details...\]](#)

503-2 Valve

4 way valve, 3 to 6 tons, 3/4" ODF connections [\[Product Details...\]](#)

- -
 -
 -
 -
- « « Start
« Prev
1
Next »
End » »

Results 1 - 13 of 13