



PE Valve

PE Valve

700 Series Valves

700 Series 3-4 way Valves 3 to 175 tons 1/2" thru 3-1/8" Line Sizes

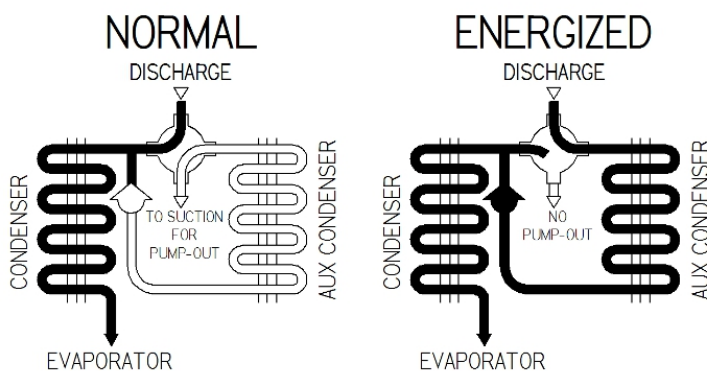
Â

This series valve is available as a pressure differential pilot actuated valve as

well as an Actuator driven valve

Â

Eliminates the need for additional solenoid valves. (4 way) In the de-energized position, the discharge gas is routed through the main condenser and the auxiliary condenser is pumped out to suction. (3 way) In the energized position, discharge gas is fed through the valve and into the auxiliary condenser. The pump out line is automatically closed. This diagram is a typical heat reclaim configuration.



721 Valve

3-4 way valve, 101 to 175 tons, 3-1/8" ODF connections [\[Product Details...\]](#)

709-1 Valve

3-4 way valve, 20.5 to 35.9 tons, 1-3/8" ODF connections [\[Product Details...\]](#)

703-1 Valve

3-4 way valve, 3 to 6 tons, 5/8" ODF connections [\[Product Details...\]](#)

709-2 Valve

3-4 way valve, 20.5 to 35.9 tons, 1-5/8" ODF connections [\[Product Details...\]](#)

703-2 Valve

3-4 way valve, 3 to 6 tons, 3/4" ODF connections [\[Product Details...\]](#)

712-1 Valve

3-4 way valve, 36 to 56 tons, 1-5/8" ODF connections [\[Product Details...\]](#)

706-1 Valve

3-4 way valve, 6.1 to 10 tons, 7/8" ODF connections [\[Product Details...\]](#)

712-2 Valve

3-4 way valve, 36 to 56 tons, 2-1/8" ODF connections [\[Product Details...\]](#)

706-2 Valve

3-4 way valve, 6.1 to 10 tons, 1-1/8" ODF connections [\[Product Details...\]](#)

715 Valve

3-4 way valve, 57 to 80 tons, 2-1/8" ODF connections [\[Product Details...\]](#)

707-1 Valve

3-4 way valve, 10.1 to 20.4 tons, 1-1/8" ODF connections [\[Product Details...\]](#)

718 Valve

3-4 way valve, 81 to 100 tons, 2-5/8" ODF connections [\[Product Details...\]](#)

707-2 Valve

3-4 way valve, 10.1 to 20.4 tons, 1-3/8" ODF connections [\[Product Details...\]](#)

- -
 -
 -
 -
- « « Start
« Prev
1
Next »
End » »

Results 1 - 13 of 13