



PE Valve

PE Valve

Flow Divider

1600 Series Flow Divider 6.1 to 175 tons 7/8" thru 3-1/8" Line Sizes

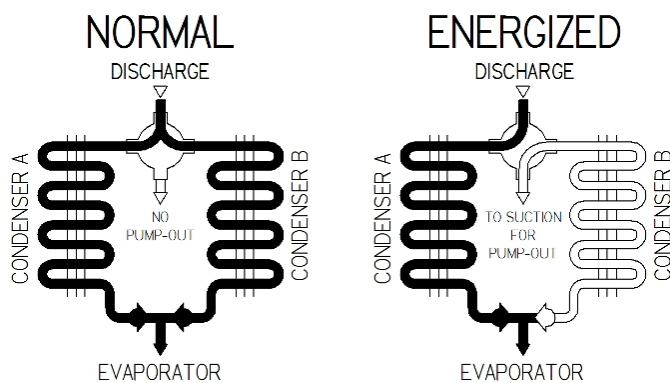
Â

This series valve is available as a pressure differential pilot actuated valve as

well as an Actuator driven valve

Â

In the normal condition, the discharge gas is routed to (A) and (B) condensers, and the pump out is closed. In the energized position, the discharge gas is routed through the (A) condenser and the (B) condenser is pumped out to suction. (Eliminates the need for an additional solenoid valve.) This diagram is a typical flow divider configuration.



1612 Valve

36 to 56 tons, 2-1/8" ODF connections [\[Product Details...\]](#)

1615 Valve

57 to 80 tons, 2-3/8" ODF connections [\[Product Details...\]](#)

1618 Valve

81 to 100 tons, 2-5/8" ODF connections [\[Product Details...\]](#)

1621 Valve

101 to 175 tons, 3-1/8" ODF connections [\[Product Details...\]](#)

1606 Valve

6.1 to 10 tons, 1-1/8" ODF connections [\[Product Details...\]](#)

1607 Valve

10.1 to 20.4 tons, 1-3/8" ODF connections [\[Product Details...\]](#)

1609 Valve

20.5 to 35.9 tons, 1-5/8" ODF connections [\[Product Details...\]](#)

-
-
-
-

« « Start
« Prev
1
Next »

•
End »»

Results 1 - 7 of 7