



PE Valve

PE Valve

1615 Valve

57 to 80 tons, 2-3/8" ODF connections

1600 Series Flow Divider 6.1 to 175 tons 7/8" thru 3-1/8" Line Sizes

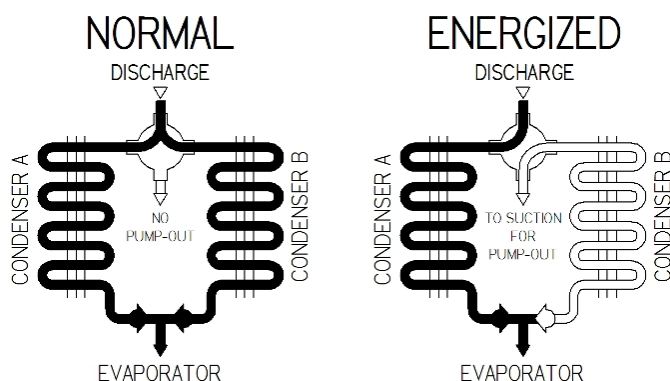
Â

This series valve is available as a pressure differential pilot actuated valve as

well as an Actuator driven valve

Â

In the normal condition, the discharge gas is routed to (A) and (B) condensers, and the pump out is closed. In the energized position, the discharge gas is routed through the (A) condenser and the (B) condenser is pumped out to suction. (Eliminates the need for an additional solenoid valve.) This diagram is a typical flow divider configuration.



[Vendor Information](#)